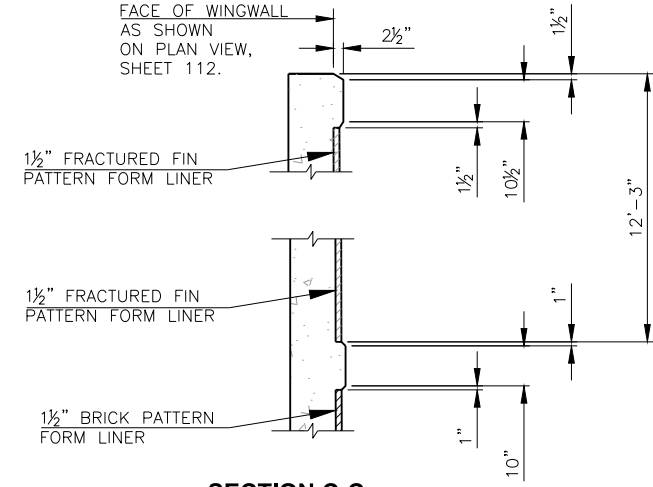
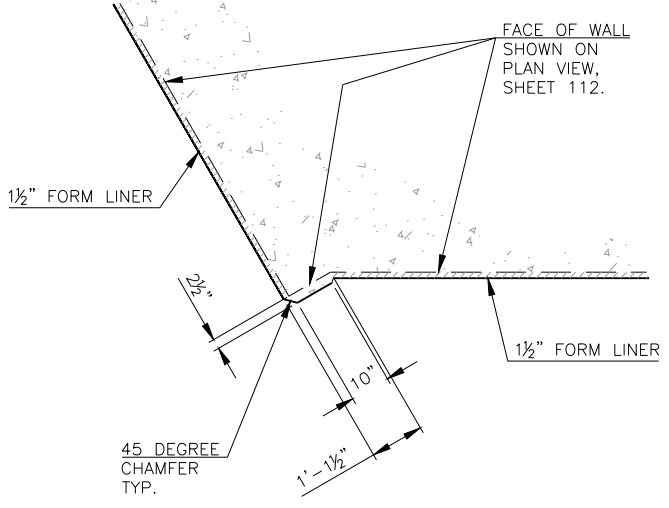


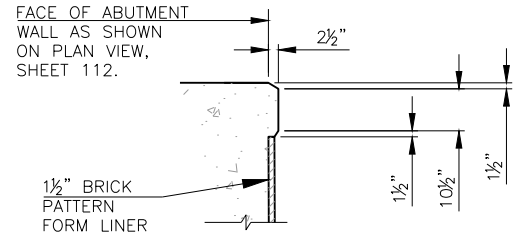
DESCRIPTION	REVISIONS	DATE



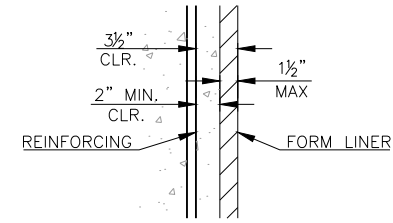
SECTION C-C



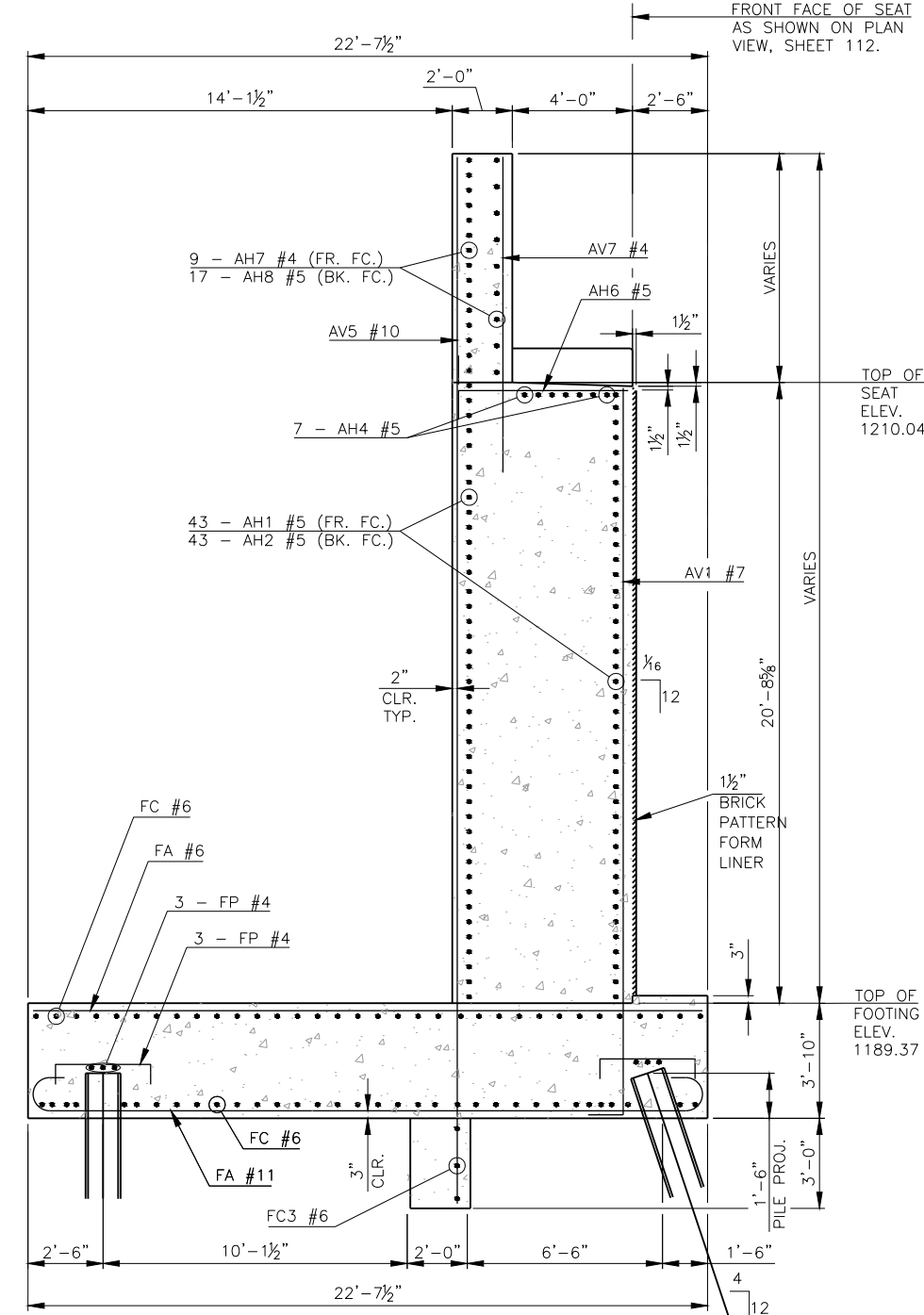
SECTION D-D



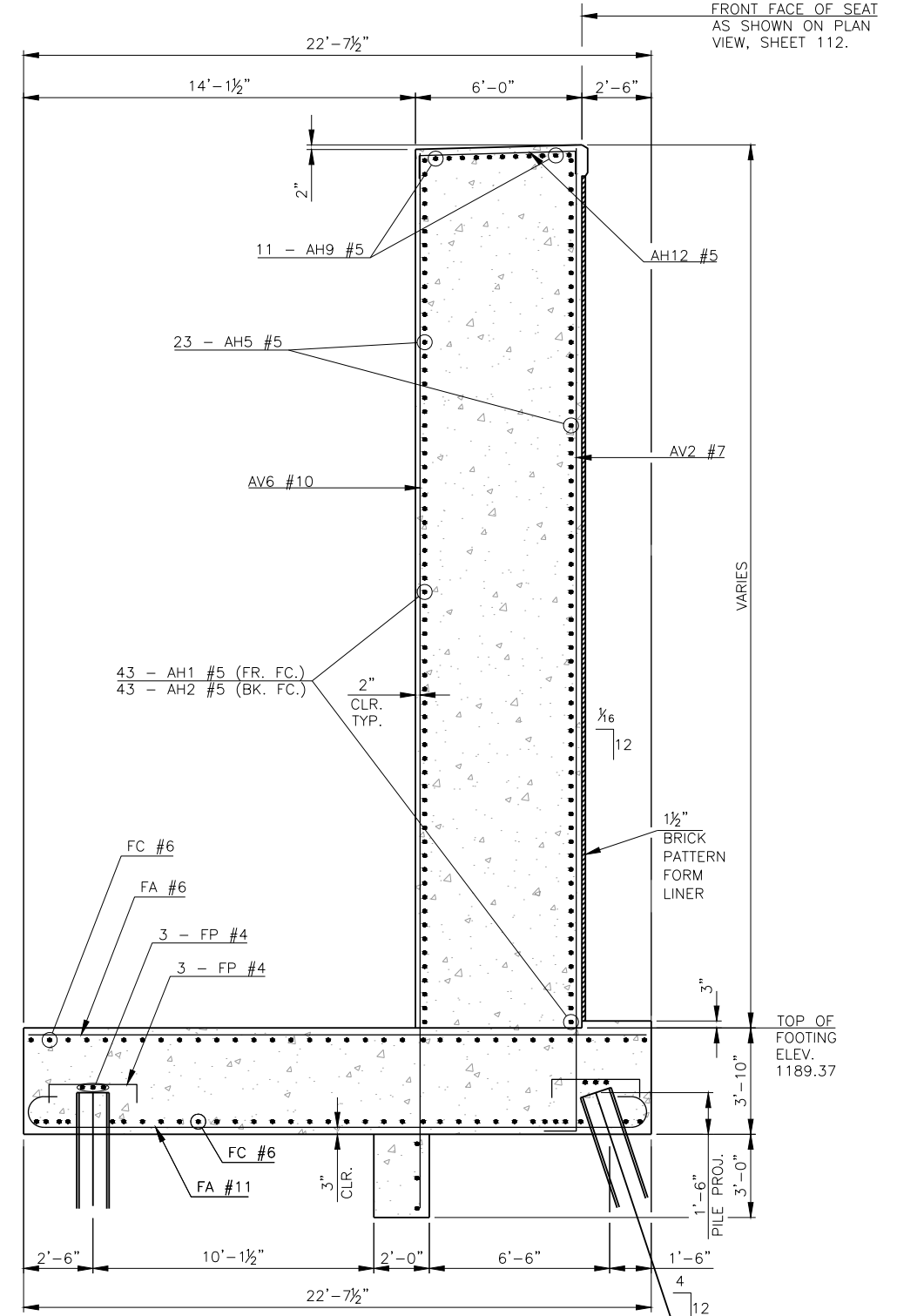
SECTION E-E



DETAIL OF CLEAR COVER WITH FORM LINER



SECTION A-A



SECTION B-B

DESIGN	T.A.C.	OKLAHOMA CITY BLVD. OVER CLASSEN BLVD.	OKLAHOMA COUNTY BRIDGE B
DRAWN	T.A.C.		
CHECKED	T.A.C.		
APPROV.	T.A.C.		
SQUAD	CEC		

ABUTMENT NO. 2 - SECTIONS

JOB PIECE NO. 17428(88) SHEET NO. 115